

HG 25 SG G2

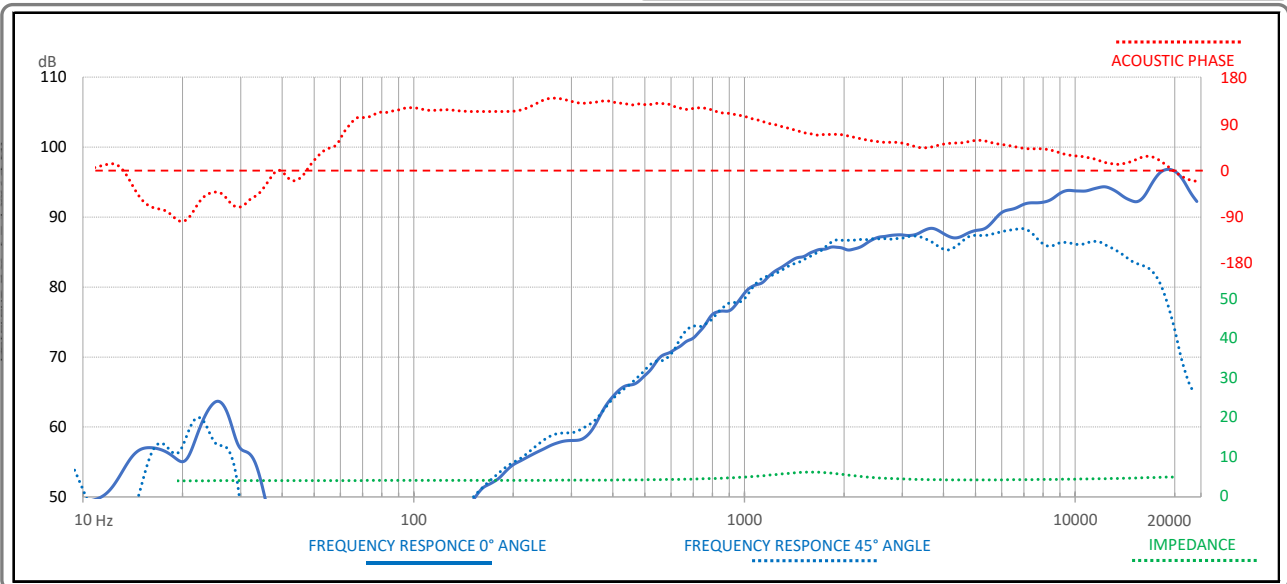
GLADEN[®]
GERMAN TECHNOLOGY

Data sheet V 2

Specifications

Tweeter

Impedance	4 Ω
Power handling	50 Watt/Wrms
Minimum amplifier power	5 Wrms
Recommended frequency area	3500 - ... Hz
SPL (2,83V/1m)	91 dB

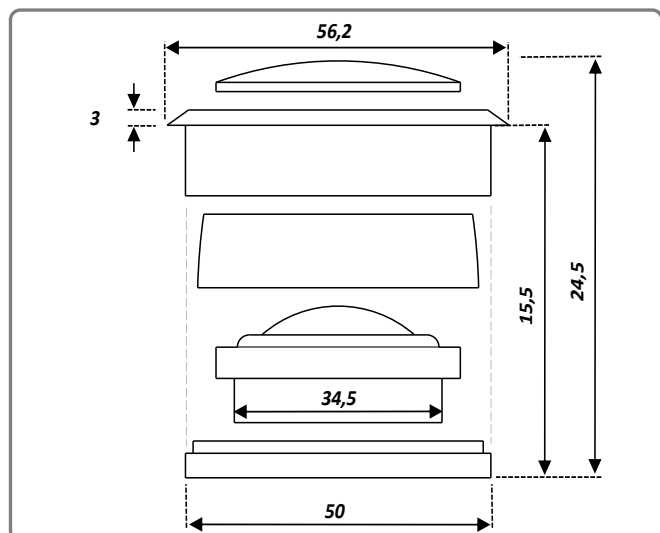


Parameters

DC resistance	Rdc	3,8 Ω
Resonance frequency	fs	1500 Hz

Sensitivity (1W/1m)	SPL	87,8 dB
Voice coil diameter	VCD	25 mm
Weight net		0,085 kg

Dimensions



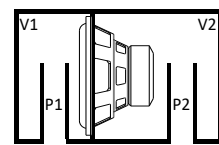
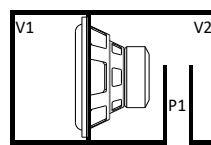
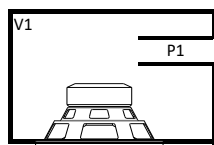
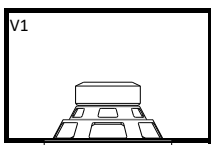
Housing suggestions

sealed

vented

bandpass (4th)

bandpass (6th)



Volume (V) in liters, dimensions port (P) in mm (diameter (D) and length (L))

All data without guarantee. Data can vary. Check data before assembly and operation.

GLADEN EUROPE GmbH - Bertha-Benz-Strasse 9 - 72141 Walldorfhäslach - CEO Alexandra Gladen - info@gladen.com